

Film Degassing Chamber

IDEX PN: 9000-2071

Product Datasheet



Description

The 9000-2071 is a 500 μ L degassing chamber in a flat film format with 1/4-28 flat bottom liquid ports. The fluoropolymer membrane & PEEK chamber is designed to degas solvents at the highest performance levels available for analytical scale HPLC & IC systems. In a small form factor, with reinforced Teflon™ AF film; this degassing chamber has a metal free flow path and universal solvent compatibility, including HFIP and Hexane. The patented chamber design enables low flow restriction when compared to the lumen based chambers.

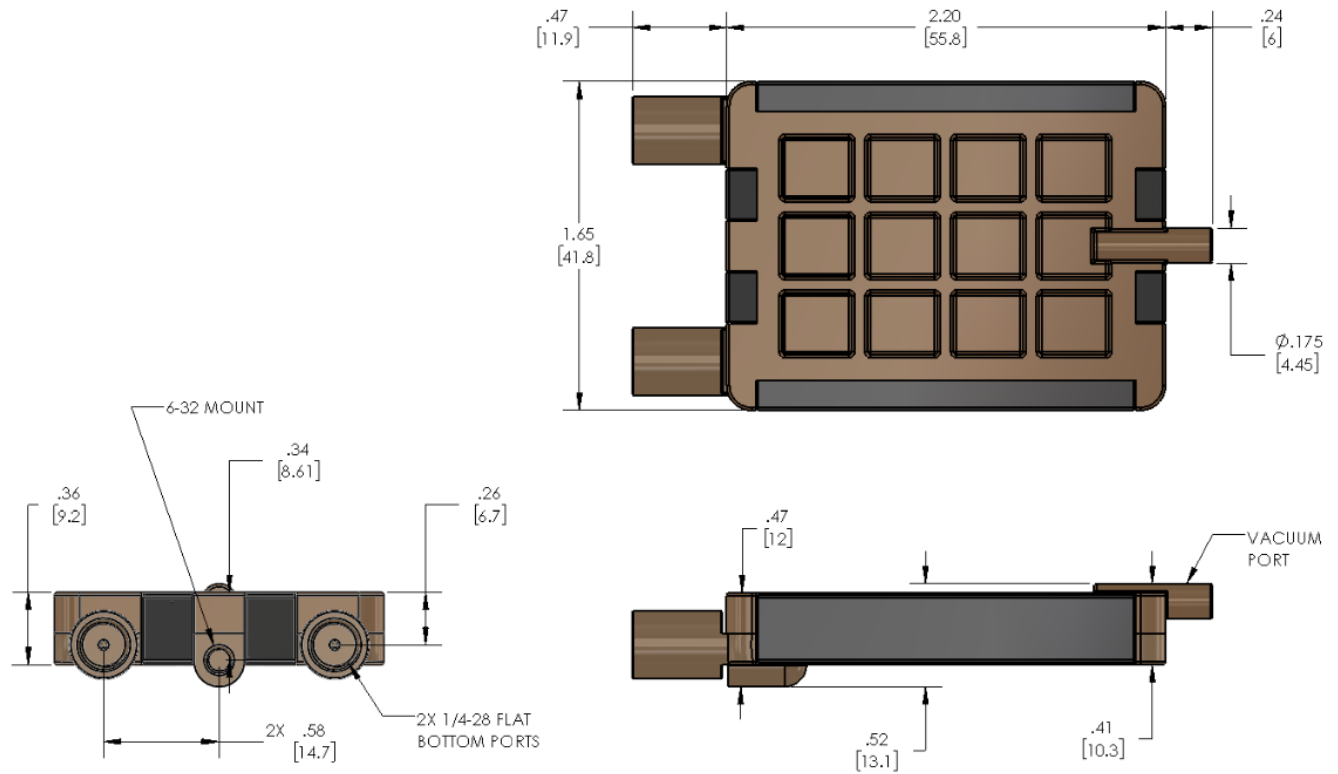
Degassing Chamber Technical Data

Degassing Channel Membrane	Teflon™ AF, Carbon
Wetted Materials	Teflon™ AF, PEEK, Carbon
Vacuum Housing Material	PEEK
Vacuum Side Materials	PEEK, PFA
Degassing Channel Volume	Nominal 500 μ l
Vacuum Volume	~100 μ l
Maximum Pressure Rating	27 PSIG
Mounting	Threaded 6-32 UNC-2B
Liquid Connections	Threaded 1/4-28 UNF-2B flat bottom, 3/8" depth
Vacuum Connections	Designed for 1/8" ID elastomeric tubing
Operating Temperature	1°C to 60°C (IPA/H ₂ O 20/80)
Storage/Shipping Temperature	-30°C to 70°C
Maximum Flow Rate	10mL/min

9000-2071- Film Degassing Chamber

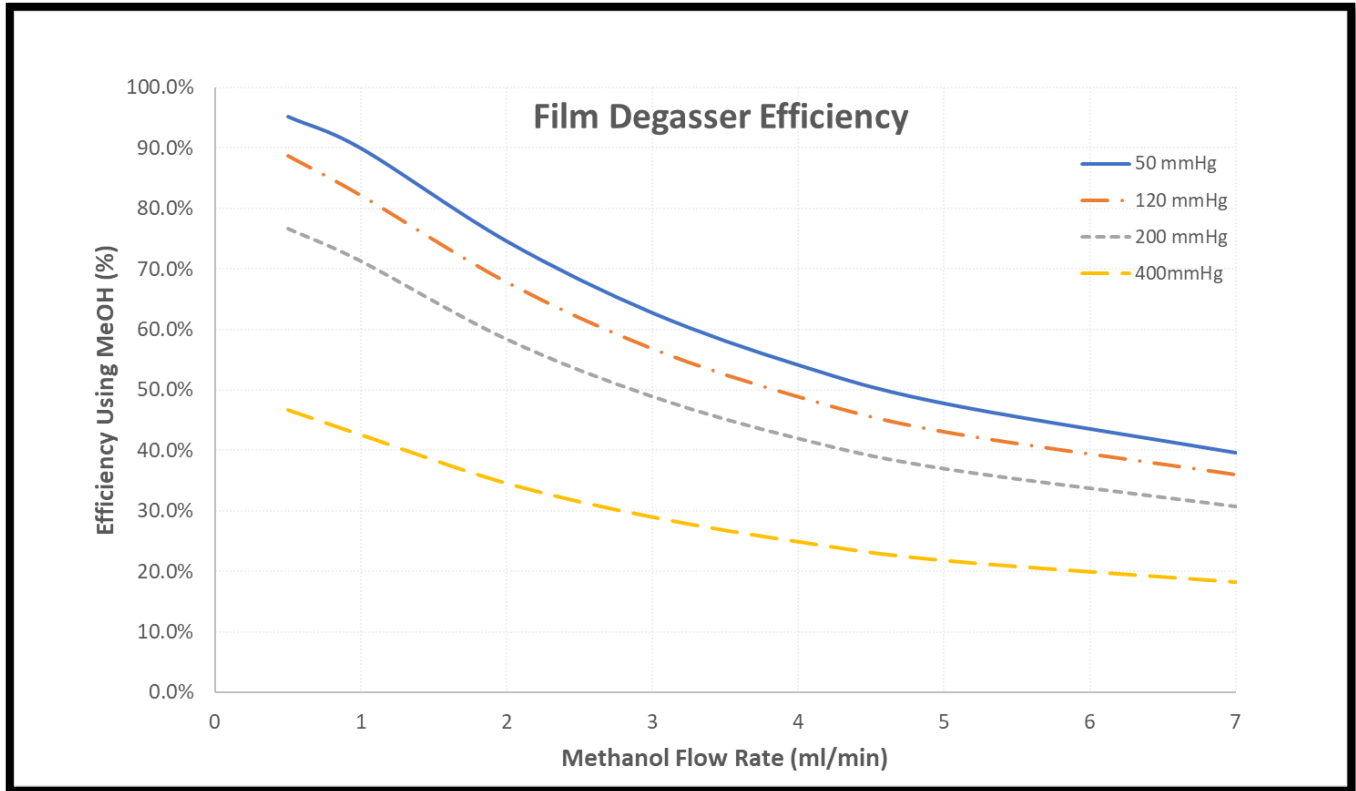
Dimensional Drawing

Dimensions are in Inches (millimeters)



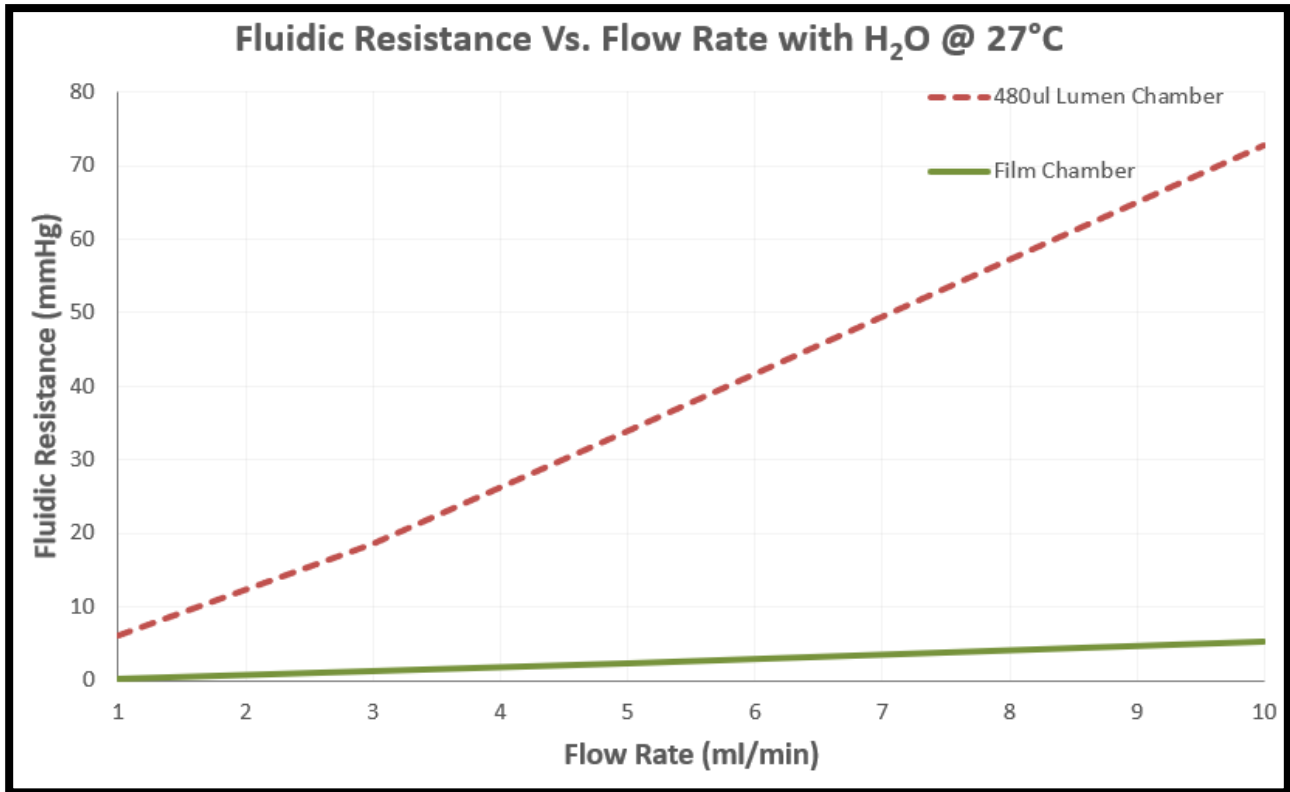
9000-2071- Film Degassing Chamber

Film Chamber Degassing Efficiency



9000-2071- Film Degassing Chamber

Film Chamber Fluidic Resistance



9000-2071- Film Degassing Chamber

Chemical Compatibility

CHEMICAL COMPATIBILITY	
DESCRIPTION	DEGASSER COMPATIBILITY
Acetic Acid, Glacial	Compatible
Acetone	Compatible
Acetonitrile	Compatible
Chlorobenzene	Compatible
Chloroform	Compatible
Dichloromethane	Compatible
Dimethyl Sulfoxide	Compatible
Ether	Compatible
Ethyl Acetate	Compatible
Hexafluoroisopropanol	Compatible ³
Hexanes (60% n-Hexane)	Compatible
Isopropyl Alcohol	Compatible
Methyl Alcohol, Anhydrous	Compatible
Methyl Ethyl Ketone	Compatible
Methyl Isobutyl Ketone	Compatible
Methyl tert-Butyl Ether	Compatible
N,N-Dimethylacetamide	Compatible
N,N-Dimethylformamide	Compatible
n-Propyl Alcohol	Compatible
NMP (N-Methyl-2-pyrrolidinone)	Compatible
Sodium Azide	Incompatible
Tetrahydrofuran	Compatible
Toluene	Compatible
Water	Compatible

9000-2071- Film Degassing Chamber

GENERAL CHEMICALS COMPATIBILITY

Buffers	Compatible ²
Hydro fluoro solvents	Incompatible
Perfluorinated solvents	Incompatible
Freons	Incompatible
Salts	Compatible ²
Acids	Compatible ¹
Bases	Compatible ¹

Notes:

1. Concentrated acids and bases, particularly 1 molar or greater may attack PEEK and PPS wetted parts. Exposure to these acids should be avoided.
2. Highly concentrate buffer and salt containing mobile phases should be washed from the HPLC flow path including the degasser flow path if the instrument is to be idle for an extended period. Particular attention should be paid to not leave such concentrated solutions in an unused flow path for an extended period. Crystallization may occur resulting in blockage of the flow path.
3. HFIP compatibility is one channel pure HFIP and any number of channels are compatible with HFIP in water.

The above chemical compatibility information has been obtained from our material suppliers, third party sources, and internal evaluations.

IDEX Health & Science LLC has not performed chemical compatibility testing on all solvents listed.

Regulatory Compliance Information

This product is compliant with current RoHS & REACH regulations

Country of Origin

Manufactured & Assembled in USA

Reference Document

Constant Performance HPLC Degassing White Paper
Film Degasser Brochure

12/12/2019
2322783 B



Global Premium Distributor:
Biotech AB - Europe | Biotech USA LLC | Bionik Inc. – Japan
www.biotechfluidics.com
info@biotechfluidics.com | +46 300 56 91 80